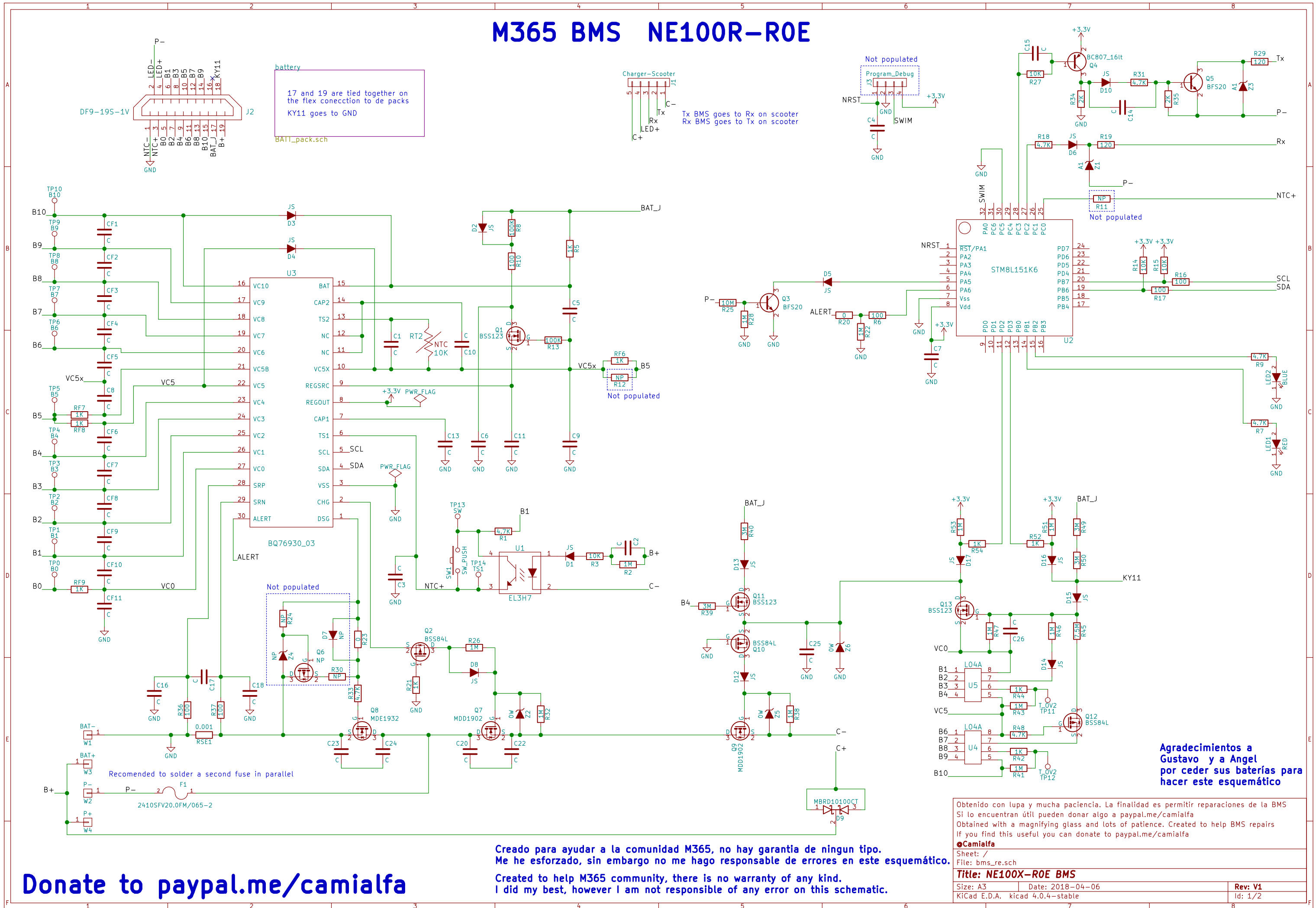


# M365 BMS NE100R-ROE



battery

17 and 19 are tied together on the flex connection to de packs  
KY11 goes to GND

BATT\_pack.sch

Charger-Scooter

Tx BMS goes to Rx on scooter  
Rx BMS goes to Tx on scooter

Not populated

Program\_Debug

Not populated

R11

Not populated

R24

Agradecimientos a Gustavo y a Angel por ceder sus baterías para hacer este esquemático

Creado para ayudar a la comunidad M365, no hay garantia de ningun tipo. Me he esforzado, sin embargo no me hago responsable de errores en este esquemático.

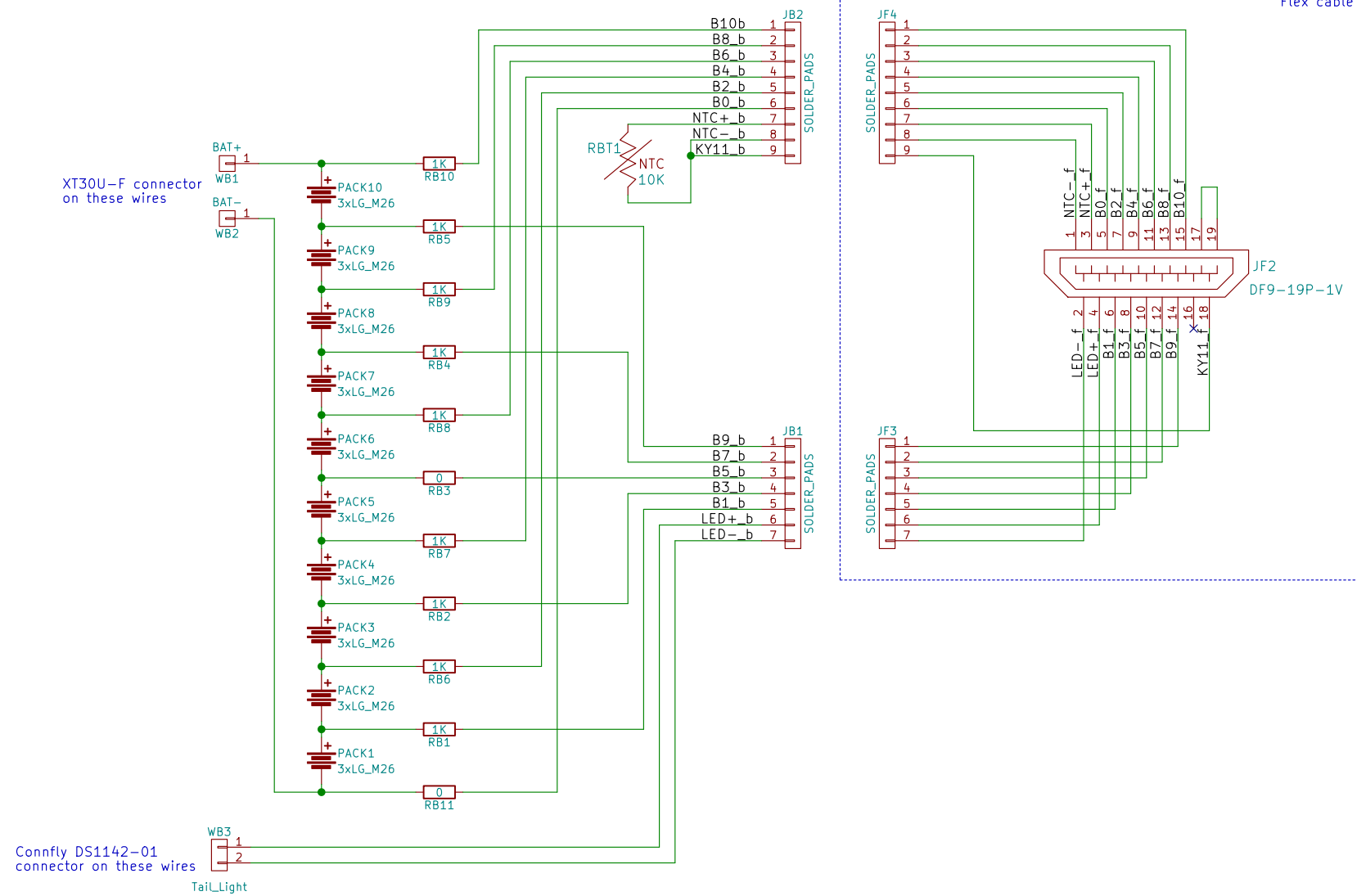
Created to help M365 community, there is no warranty of any kind. I did my best, however I am not responsible of any error on this schematic.

Donate to [paypal.me/camialfa](https://paypal.me/camialfa)

Obtenido con lupa y mucha paciencia. La finalidad es permitir reparaciones de la BMS Si lo encuentran útil pueden donar algo a [paypal.me/camialfa](https://paypal.me/camialfa)  
 Obtained with a magnifying glass and lots of patience. Created to help BMS repairs If you find this useful you can donate to [paypal.me/camialfa](https://paypal.me/camialfa)  
 @Camialfa

Sheet: /	File: bms_re.sch
<b>Title: NE100X-ROE BMS</b>	
Size: A3	Date: 2018-04-06
KiCad E.D.A. kicad 4.0.4-stable	Rev: V1
	Id: 1/2

# M365 Battery pack



Creado para ayudar a la comunidad M365, no hay garantia de ningun tipo.  
Me he esforzado, sin embargo no me hago responsable de errores en este esquemático.

Created to help M365 community, there is no warranty of any kind.  
I did my best, however I am not responsible of any error on this schematic.

Donate to [paypal.me/camialfa](https://paypal.me/camialfa)

Obtenido con lupa y mucha paciencia. La finalidad es permitir reparaciones de la BMS Si lo encuentran útil pueden donar algo a <a href="https://paypal.me/camialfa">paypal.me/camialfa</a> Obtained with a magnifying glass and lots of patience. Created to help BMS repairs If you find this useful you can donate to <a href="https://paypal.me/camialfa">paypal.me/camialfa</a>		
©Camialfa		
Sheet: /battery/ File: BATT_pack.sch		
<b>Title: Battery pack</b>		
Size: A3	Date: 2018-04-06	Rev: V1
KiCad E.D.A. kicad 4.0.4-stable		Id: 2/2