

AVNET EMBEDDED SPECIFICATION.

Datasheet
Sharp
LQ104S1DG31

1. Application

This specification applies to color TFT-LCD module, LQ104S1DG31

These specification sheets are the proprietary product of SHARP CORPORATION ("SHARP") and include materials protected under copyright of SHARP. Do not reproduce or cause any third party to reproduce them in any form or by any means, electronic or mechanical, for any purpose, in whole or in part, without the express written permission of SHARP.

The device listed in these specification sheets was designed and manufactured for use in general electronic equipment.

In case of using the device for applications such as control and safety equipment for transportation (controls of aircraft, trains, automobiles, etc.), rescue and security equipment and various safety related equipment which require higher reliability and safety, take into consideration that appropriate measures such as fail-safe functions and redundant system design should be taken.

Do not use the device for equipment that requires an extreme level of reliability, such as aerospace applications, telecommunication equipment (trunk lines), nuclear power control equipment and medical or other equipment for life support.

SHARP assumes no responsibility for any damage resulting from the use of the device which does not comply with the instructions and the precautions specified in these specification sheets.

Confirm "12. Handling Precautions" item when you use the device.

Contact and consult with a SHARP sales representative for any questions about this device.

2. Overview

This module is a color active matrix LCD module incorporating amorphous silicon TFT (Thin Film Transistor). It is composed of a color TFT-LCD panel, driver ICs, control circuit and power supply circuit and a backlight unit. Graphics and texts can be displayed on a 800 X 3 X 600 dots panel with 262,144 colors by using LVDS (Low Voltage Differential Signaling) system for interface and supplying +3.3V or +5.0V DC supply voltage for TFT-LCD panel driving and supply voltage for backlight.

The TFT-LCD panel used for this module is a low-reflection and higher-color-saturation type.

Therefore, this module is also suitable for the multimedia use. Viewing angle is 6 o'clock direction.

Backlight-driving DC/AC inverter is not built in this module.

3. Outline specification.

| Parameter | Specifications | Unit |
|----------------------------|--------------------------------|-------|
| Display size | 26 (10.4") Diagonal | cm |
| Active area | 211.2(H)×158.4(V) | mm |
| Pixel format | 800(H)×600(V) | pixel |
| | (1 pixel=R+G+B dots) | - |
| Pixel pitch | 0.264(H)×0.264(V) | mm |
| Pixel configuration | R,G,B vertical stripe | - |
| Display mode | Normally white | - |
| Unit outline dimensions *1 | 243.0(W)×183.8(H)×Max.11.5 (D) | mm |
| Mass | Max.600 | g |
| Surface treatment | Anti-glare and hard-coating 3H | - |

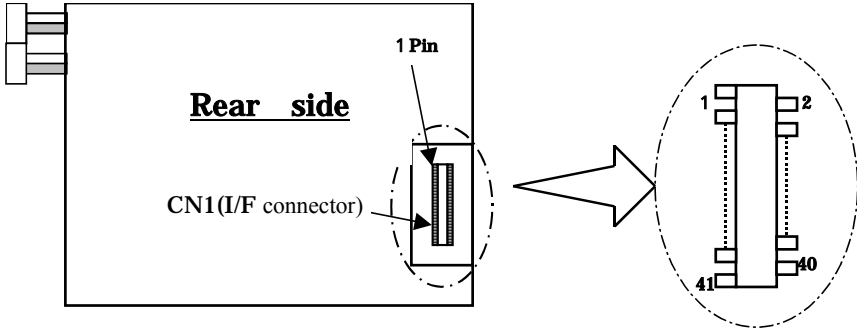
*1: excluding backlight cables.

Outline dimensions is shown in Fig.1

4. Input Terminals

4-1. TFT-LCD panel driving

- Corresponding connector: DF9-41S-1V(32) Hirose Electric Co., Ltd.
- DF9A-41S-1V Hirose Electric Co., Ltd.
- DF9B-41S-1V Hirose Electric Co., Ltd.
- DF9M-41S-1V Hirose Electric Co., Ltd.



| Pin No. | Symbol | Function | Remark |
|---------|--------|--|---------|
| 1 | GND | - | - |
| 2 | CK | Clock signal for sampling each data signal | - |
| 3 | GND | - | - |
| 4 | Hsync | Horizontal synchronous signal | 【Note1】 |
| 5 | Vsync | Vertical synchronous signal | 【Note1】 |
| 6 | GND | - | - |
| 7 | GND | - | - |
| 8 | GND | - | - |
| 9 | R0 | RED data signal(LSB) | - |
| 10 | R1 | RED data signal | - |
| 11 | R2 | RED data signal | - |
| 12 | GND | - | - |
| 13 | R3 | RED data signal | - |
| 14 | R4 | RED data signal | - |
| 15 | R5 | RED data signal(MSB) | - |
| 16 | GND | - | - |
| 17 | GND | - | - |
| 18 | GND | - | - |
| 19 | G0 | GREEN data signal(LSB) | - |
| 20 | G1 | GREEN data signal | - |
| 21 | G2 | GREEN data signal | - |
| 22 | GND | - | - |
| 23 | G3 | GREEN data signal | - |
| 24 | G4 | GREEN data signal | - |
| 25 | G5 | GREEN data signal(MSB) | - |
| 26 | GND | - | - |
| 27 | GND | - | - |
| 28 | GND | - | - |
| 29 | B0 | BLUE data signal(LSB) | - |
| 30 | B1 | BLUE data signal | - |
| 31 | B2 | BLUE data signal | - |
| 32 | GND | - | - |
| 33 | B3 | BLUE data signal | - |
| 34 | B4 | BLUE data signal | - |
| 35 | B5 | BLUE data signal(MSB) | - |
| 36 | GND | - | - |
| 37 | ENAB | Signal to settle the horizontal display position | 【Note3】 |
| 38 | SCAN | Horizontal/Vertical display mode select signal | - |
| 39 | Vcc | power supply (+3.3V or +5.0V) | - |
| 40 | Vcc | power supply (+3.3V or +5.0V) | - |
| 41 | MODE | “H” Fixed mode , “L” or “OPEN” DE mode | - |

【Note1】 The polarity of both synchronous signals are negative.

【Note2】 The horizontal display start timing is settled in accordance with a rising timing of ENAB signal.

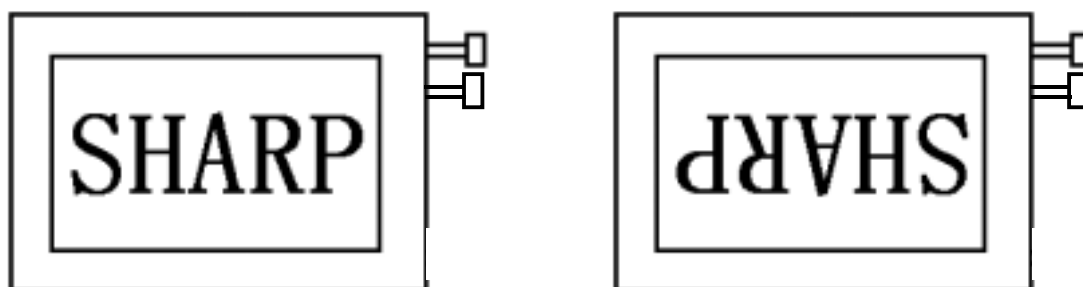
In case ENAB is fixed "Low", the horizontal start timing is determined as described in 8-2.

Don't keep ENAB "High" during operation.

[Note 3]

SCAN = High

SCAN = Low or Open



4-3. Backlight driving

CN2 ,CN3

Used connector : BHR-02(8.0)VS-1N (JST)

Corresponding connector : SM02(8.0)B-BHS-1-TB(LF)(SN) or -1N-TB(LF) or -1R-TB(LF) (JST)

| Pin no. | symbol | function | Color of cable CN2 | Color of cable (CN3) |
|---------|--------|--|-----------------------|-------------------------|
| 1 | VHIGH | Power supply for lamp (High voltage side) | Orange | Blue |
| 2 | VLOW | Power supply for lamp (Low voltage side) | White | Gray |

5. Absolute Maximum Ratings

| Parameter | Symbol | Condition | Ratings | Unit | Remark |
|--------------------------------------|--------|-----------|-----------------|------|---------|
| Input voltage | V_i | Ta=25 | - 0.3 ~ Vcc+0.3 | V | 【Note1】 |
| +5V supply voltage | Vcc | Ta=25 | 0 ~ + 6 | V | |
| Storage temperature | Tstg | - | -30 ~ 80 | | |
| Operating temperature (PanelSurface) | Topa | - | -30 ~ 80 | | 【Note2】 |

【Note1】 CK,R0 ~ R5,G0 ~ G5,B0 ~ B5,Hsync,Vsync,ENAB, R/L, U/L

【Note2】 Humidity : 95%RH Max. at Ta 40 .

Maximum wet-bulb temperature at 39 or less at Ta>40 . (No condensation.)

6-1.TFT-LCDpaneldriving

Ta = 25

| Parameter | | Symbol | Min. | Typ. | Max. | Unit | Remark |
|---------------------------------|---------------------|------------------|------|-------------|------|------------------|-----------------------------|
| Power Supply | Supply voltage | Vcc | +3.0 | +3.3 +5.0 | +5.5 | V | 【Note1】 |
| | Current dissipation | Icc | - | 300 | 450 | mA | Vcc=3.3V 【Note2】 |
| Icc | | - | 200 | 300 | mA | Vcc=5.0V 【Note2】 | |
| Permissive input ripple voltage | | V _{RF} | - | - | 100 | mVp-p | Vcc=5.0V |
| Input voltage (Low) | | V _{IL} | - | - | 0.9 | V | 【Note3】 |
| Input voltage (High) | | V _{IH} | 2.1 | - | - | V | |
| Input current (low) | | I _{OL1} | - | - | 1.0 | μA | V _I =0V 【Note4】 |
| | | I _{OL2} | - | - | 10 | μA | V _I =0V 【Note5】 |
| | | I _{OL3} | - | - | 800 | μA | V _I =0V 【Note6】 |
| Input current (High) | | I _{OH1} | - | - | 1.0 | μA | V _I =Vcc 【Note4】 |
| | | I _{OH2} | - | - | 300 | μA | V _I =Vcc 【Note5】 |
| | | I _{OH3} | - | - | 800 | μA | V _I =Vcc 【Note6】 |

[Note1] On-off conditions for supply voltage

- 0 < t1 15ms
- 0 < t2 10ms
- 0 < t3 100ms
- 0 < t4 1s
- 200ms < t5

Vcc-dip conditions

- 1) 2.5V Vcc
td 10ms
- 2) Vcc < 2.5V

Vcc-dip conditions should also follow the On-off conditions for supply voltage

[Note2] Typical current situation : 16-gray-bar pattern.

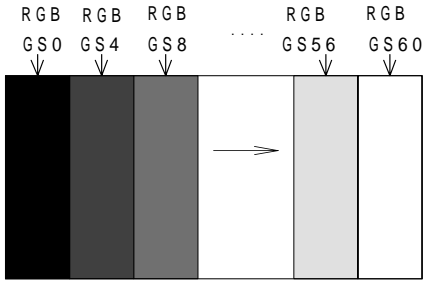
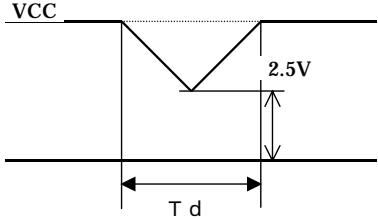
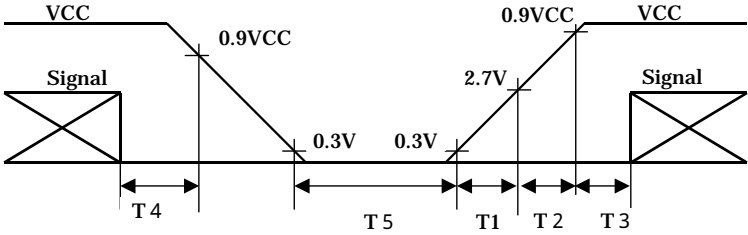
Vcc = +3.3V / +5.0V

[Note3] CK,R0~R5,G0~G5,B0~B5,Hsync,Vsync,ENAB,SCAN,MODE

[Note4] CK,R0~R5,G0~G5,B0~B5,Hsync,Vsync

[Note5] ENAB

[Note6] SCAN,MODE



7-2. Backlight driving

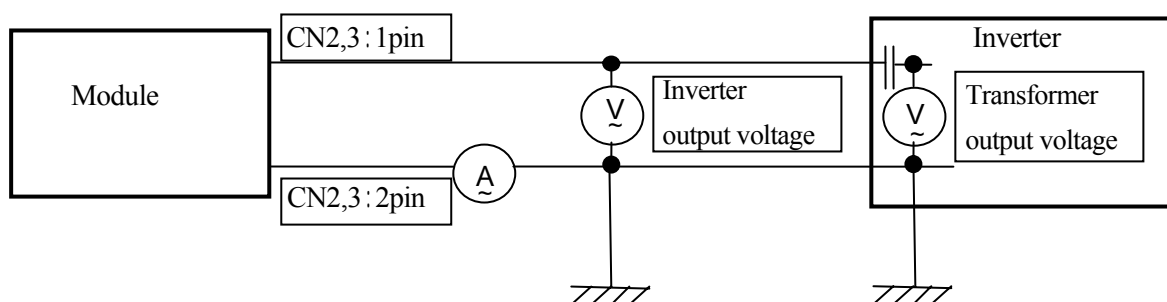
The backlight system is an edge-lighting type with double CCFT (Cold Cathode Fluorescent Tube).

The characteristics of single lamp are shown in the following table.

(It is usually required to measure under the following condition. $I_L=6.0\text{mA}$, $T_a=25 \pm 2$, $f_L=60\text{kHz}$.)

| Parameter | Symbol | Min. | Typ. | Max. | Unit | Remark |
|------------------------|--------|-------|------|--------|--------|---|
| Lamp current | I_L | 3.0 | 6.0 | 6.5 | mA rms | [Note1] |
| Lamp power consumption | PL | - | 2.8 | - | W | [Note2] |
| Lamp frequency | FL | 35 | 60 | 70 | kHz | [Note3] |
| Kick-off voltage | V_s | - | - | 1300 | V rms | Inverter output |
| | | - | - | (2000) | | Transformer output Barast capacitor=12pF |
| Lamp life time | LL | 50000 | - | - | Hour | [Note5] |

[Note1] Lamp current is measured with current meter for high frequency as shown below.



[Note2] Referential data per one CCFT by calculation. ($I_L \times V_L$)

The data don't include loss at inverter. ($I_L=6.0\text{mA rms}$)

[Note3] Lamp frequency may produce interference with horizontal synchronous frequency, and this may cause beat on the display. Therefore lamp frequency shall be detached as much as possible from the horizontal synchronous frequency and from the harmonics of horizontal synchronous to avoid interference.

[Note4] The open output voltage of the inverter shall be maintained for more than 1s; otherwise the lamp may not be turned on.

[Note5] Above value is applicable when lamp (the long side of LCD module) is placed horizontally. (Landscape position)

Lamp life time is defined that it applied either or under this condition
(Continuous turning on at $T_a=25^\circ\text{C}$, $I_L=6.0\text{mA rms}$)

Brightness becomes 50% of the original value under standard condition.

Kick-off voltage at $T_a=-30^\circ\text{C}$ exceeds maximum value, 1,300Vrms.

Lamp life time shortens according to the state of mounting and use.

(Lamp lifetime may vary if lamp is in portrait position due to the change of mercury density inside the lamp.)

In case of operating under lower temp environment, the lamp exhaustion is accelerated and the brightness becomes lower.

(Continuous operating for around 1 month under lower temp condition may reduce the brightness to half of the original brightness.)

In case of such usage under lower temp environment, periodical lamp exchange is recommended.

[Note6] The performance of the backlight, for example life time or brightness, is much influenced by the characteristics of the DC-AC inverter for the lamp. When you design or order the inverter, please make sure that a poor lighting caused by the mismatch of the backlight and the inverter (miss-lighting, flicker, etc.) never occur. when you confirm it, the module should be operated in the same condition as it is installed in your instrument.

Be sure to use a back light power supply with the safety protection circuit such as the detection circuit for the excess voltage, excess current and or electric discharge waveform.

Be sure to use the detect circuit by which one side of the CCFT lamps can be controlled independently.

Otherwise, when one side of the CCFT is open, the excess current may possibly be applied to the other side of the lamp.

Recommended inverter is "CXA-P1212B-WJL(TDK)".

Moreover, "CXA-0454(TDK)" of a wide temperature specification can be used.

[Note7] It is required to have the inverter designed so that to allow the impedance deviation of the two CCFT lamps and the capacity deviation of barast capacitor.

[Note8] Under the environment of 10lx or less, miss-lighting delay may occur.

8. Timing Characteristics of input signals

Timing diagrams of input signal are shown in Fig.2.

(These are specified at the digital inputs/outputs of LVDS transmitter/receiver.)

8-1. Timing characteristics

| Parameter | Symbol | Min. | Typ. | Max. | Unit | Remark | |
|------------------------------|-------------|------|------|------|--------|--------|---|
| Clock | Frequency | 1/Tc | 35 | 40.0 | 42.0 | MHz | - |
| | High time | Tch | 6 | - | - | ns | - |
| | Low time | Tcl | 6 | - | - | ns | - |
| | Duty ratio | Th/T | 40 | 50 | 60 | % | - |
| Data | Setup time | Tds | 1 | - | - | ns | - |
| | Hold time | Tdh | 7 | - | - | ns | - |
| Horizontal sync. signal | Cycle | TH | 20.8 | 26.4 | 39.9 | μs | - |
| | | | 832 | 1056 | 1395 | clock | - |
| | Pulse width | THp | 2 | 128 | 200 | clock | - |
| Vertical sync. signal | Cycle | TV | 622 | 666 | 798 | line | - |
| | Pulse width | TVp | 2 | 4 | 6 | line | - |
| Horizontal display period | | THd | 800 | 800 | 800 | clock | - |
| Hsync-Clock phase difference | | THc | 5 | - | Tc-10 | ns | - |
| Hsync-Vsync phase difference | | TVh | 0 | - | TH-THp | clock | - |
| Vertical data start position | | TVs | 23 | 23 | 23 | line | - |

[Note] In case of lower frequency, the deterioration of display quality, flicker etc., may be occurred.

8-2. Horizontal display position (Fixed mode)

The horizontal display position is determined by ENAB signal and the input data corresponding to the rising edge of ENAB signal is displayed at the left end of the active area.

| Parameter | symbol | Min. | Typ. | Max. | Unit | Remark | |
|--------------------------------------|-------------|------|------|------|-------|--------|---|
| Enable signal | Setup time | Tes | 5 | - | Tc-10 | ns | - |
| | Pulse width | Tep | 2 | 800 | TH-10 | clock | - |
| Hsync-Enable signal phase difference | | THE | 58 | 88 | 170 | clock | - |

[Note] When ENAB is fixed "Low", the display starts from the data of C88(clock) as shown in Fig.2-1.

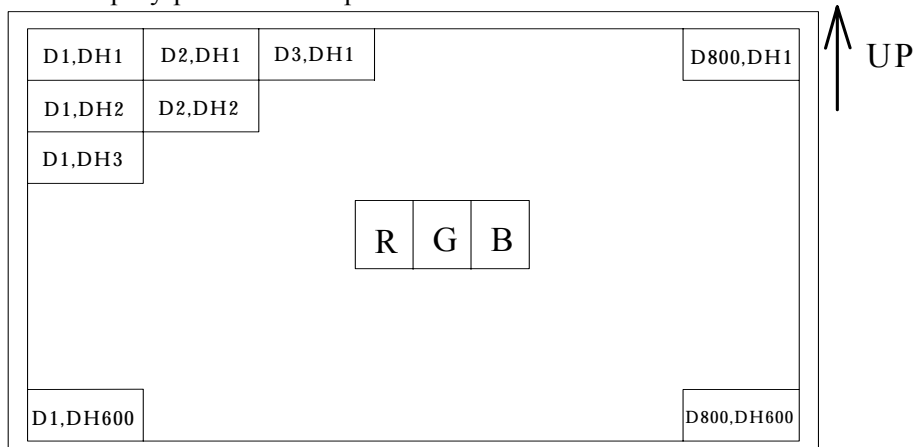
The vertical display position, TVs is fixed "23" (line).

8-3. Horizontal /Vertical display position (DE mode)

Display start timing is settled in accordance with a rising timing of ENAB signal as shown in Fig.2-2.

8-4. Input Data Signals and Display Position on the screen

Display position of input data



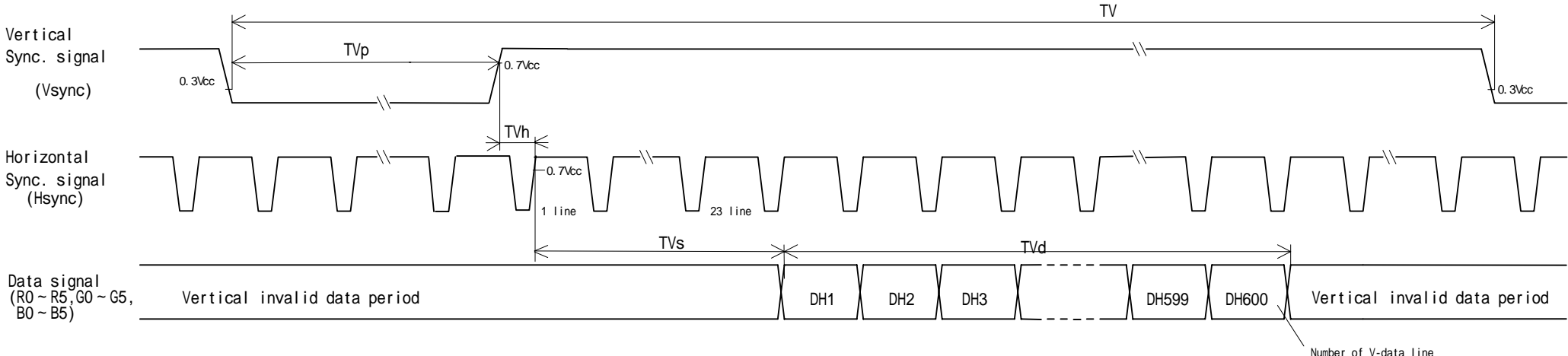
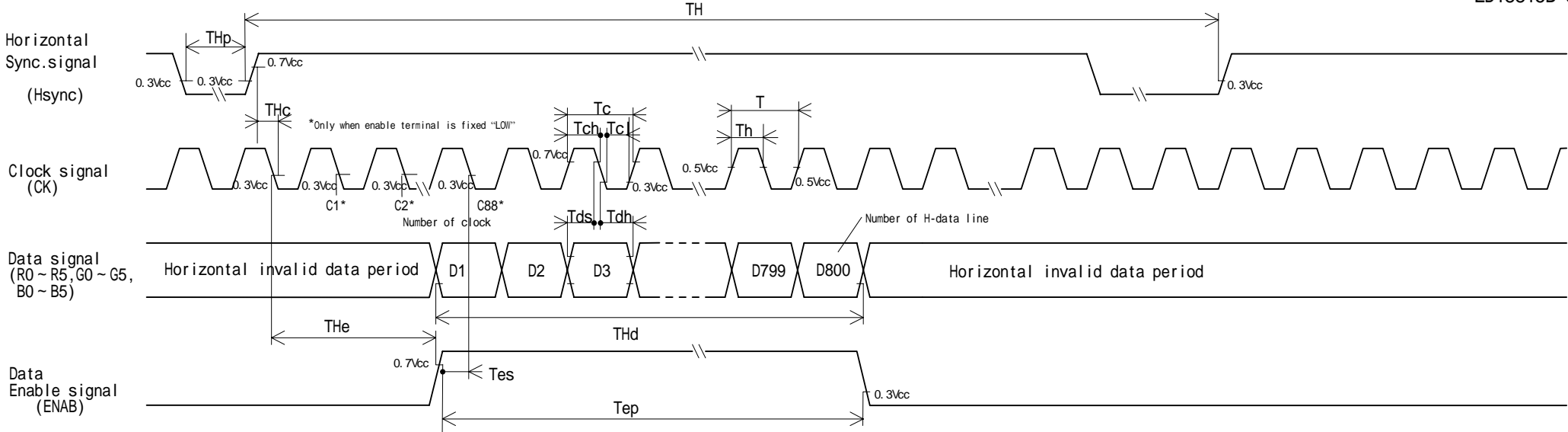
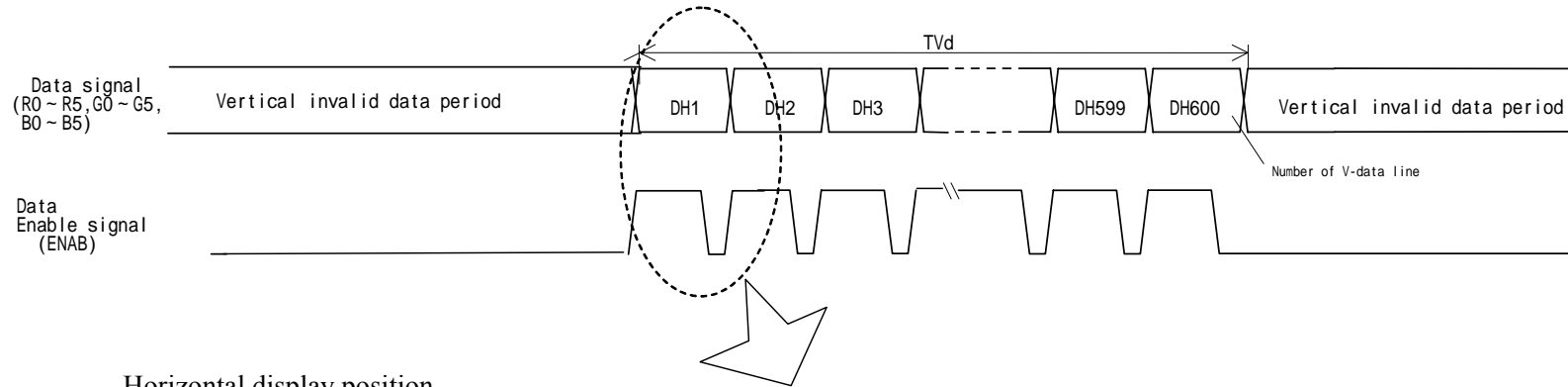


Fig. 2-1 Input signal waveforms (Fixed mode)

vertical display position



Horizontal display position

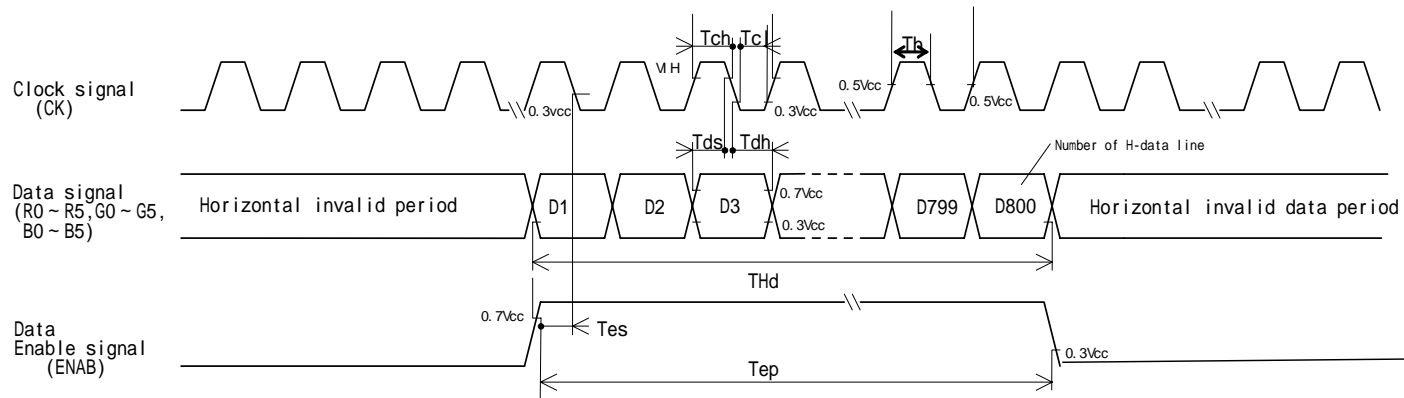


Fig. 2-2 Input signal waveforms (DE mode)

9. Input Signals, Basic Display Colors and Gray Scale of Each Color

| | Colors & | Data signal | | | | | | | | | | | | | | | | | | |
|---------------------|------------|-------------|----|----|----|----|----|----|----|----|----|----|----|----|----|----|----|----|----|----|
| | Gray scale | Gray Scale | R0 | R1 | R2 | R3 | R4 | R5 | G0 | G1 | G2 | G3 | G4 | G5 | B0 | B1 | B2 | B3 | B4 | B5 |
| Basic Color | Black | - | 0 | 0 | 0 | 0 | 0 | 0 | 0 | 0 | 0 | 0 | 0 | 0 | 0 | 0 | 0 | 0 | 0 | 0 |
| | Blue | - | 0 | 0 | 0 | 0 | 0 | 0 | 0 | 0 | 0 | 0 | 0 | 0 | 1 | 1 | 1 | 1 | 1 | 1 |
| | Green | - | 0 | 0 | 0 | 0 | 0 | 0 | 1 | 1 | 1 | 1 | 1 | 1 | 0 | 0 | 0 | 0 | 0 | 0 |
| | Cyan | - | 0 | 0 | 0 | 0 | 0 | 0 | 1 | 1 | 1 | 1 | 1 | 1 | 1 | 1 | 1 | 1 | 1 | 1 |
| | Red | - | 1 | 1 | 1 | 1 | 1 | 1 | 0 | 0 | 0 | 0 | 0 | 0 | 0 | 0 | 0 | 0 | 0 | 0 |
| | Magenta | - | 1 | 1 | 1 | 1 | 1 | 1 | 0 | 0 | 0 | 0 | 0 | 0 | 1 | 1 | 1 | 1 | 1 | 1 |
| | Yellow | - | 1 | 1 | 1 | 1 | 1 | 1 | 1 | 1 | 1 | 1 | 1 | 1 | 0 | 0 | 0 | 0 | 0 | 0 |
| | White | - | 1 | 1 | 1 | 1 | 1 | 1 | 1 | 1 | 1 | 1 | 1 | 1 | 1 | 1 | 1 | 1 | 1 | 1 |
| Gray Scale of Red | Black | GS0 | 0 | 0 | 0 | 0 | 0 | 0 | 0 | 0 | 0 | 0 | 0 | 0 | 0 | 0 | 0 | 0 | 0 | 0 |
| | ↑ | GS1 | 1 | 0 | 0 | 0 | 0 | 0 | 0 | 0 | 0 | 0 | 0 | 0 | 0 | 0 | 0 | 0 | 0 | 0 |
| | Darker | GS2 | 0 | 1 | 0 | 0 | 0 | 0 | 0 | 0 | 0 | 0 | 0 | 0 | 0 | 0 | 0 | 0 | 0 | 0 |
| | ↑ | ↓ | | | ↓ | | | | | ↓ | | | | | ↓ | | | | | |
| | ↓ | ↓ | | | ↓ | | | | | ↓ | | | | | ↓ | | | | | |
| | Brighter | GS61 | 1 | 0 | 1 | 1 | 1 | 1 | 0 | 0 | 0 | 0 | 0 | 0 | 0 | 0 | 0 | 0 | 0 | 0 |
| | ↓ | GS62 | 0 | 1 | 1 | 1 | 1 | 1 | 0 | 0 | 0 | 0 | 0 | 0 | 0 | 0 | 0 | 0 | 0 | 0 |
| | Red | GS63 | 1 | 1 | 1 | 1 | 1 | 1 | 0 | 0 | 0 | 0 | 0 | 0 | 0 | 0 | 0 | 0 | 0 | 0 |
| Gray Scale of Green | Black | GS0 | 0 | 0 | 0 | 0 | 0 | 0 | 0 | 0 | 0 | 0 | 0 | 0 | 0 | 0 | 0 | 0 | 0 | 0 |
| | ↑ | GS1 | 0 | 0 | 0 | 0 | 0 | 0 | 1 | 0 | 0 | 0 | 0 | 0 | 0 | 0 | 0 | 0 | 0 | 0 |
| | Darker | GS2 | 0 | 0 | 0 | 0 | 0 | 0 | 0 | 1 | 0 | 0 | 0 | 0 | 0 | 0 | 0 | 0 | 0 | 0 |
| | ↑ | ↓ | | | ↓ | | | | | ↓ | | | | | ↓ | | | | | |
| | ↓ | ↓ | | | ↓ | | | | | ↓ | | | | | ↓ | | | | | |
| | Brighter | GS61 | 0 | 0 | 0 | 0 | 0 | 0 | 1 | 0 | 1 | 1 | 1 | 1 | 0 | 0 | 0 | 0 | 0 | 0 |
| | ↓ | GS62 | 0 | 0 | 0 | 0 | 0 | 0 | 0 | 1 | 1 | 1 | 1 | 1 | 0 | 0 | 0 | 0 | 0 | 0 |
| | Green | GS63 | 0 | 0 | 0 | 0 | 0 | 0 | 1 | 1 | 1 | 1 | 1 | 1 | 0 | 0 | 0 | 0 | 0 | 0 |
| Gray Scale of Blue | Black | GS0 | 0 | 0 | 0 | 0 | 0 | 0 | 0 | 0 | 0 | 0 | 0 | 0 | 0 | 0 | 0 | 0 | 0 | 0 |
| | ↑ | GS1 | 0 | 0 | 0 | 0 | 0 | 0 | 0 | 0 | 0 | 0 | 0 | 0 | 1 | 0 | 0 | 0 | 0 | 0 |
| | Darker | GS2 | 0 | 0 | 0 | 0 | 0 | 0 | 0 | 0 | 0 | 0 | 0 | 0 | 0 | 1 | 0 | 0 | 0 | 0 |
| | ↑ | ↓ | | | ↓ | | | | | ↓ | | | | | ↓ | | | | | |
| | ↓ | ↓ | | | ↓ | | | | | ↓ | | | | | ↓ | | | | | |
| | Brighter | GS61 | 0 | 0 | 0 | 0 | 0 | 0 | 0 | 0 | 0 | 0 | 0 | 0 | 1 | 0 | 1 | 1 | 1 | 1 |
| | ↓ | GS62 | 0 | 0 | 0 | 0 | 0 | 0 | 0 | 0 | 0 | 0 | 0 | 0 | 0 | 1 | 1 | 1 | 1 | 1 |
| | Blue | GS63 | 0 | 0 | 0 | 0 | 0 | 0 | 0 | 0 | 0 | 0 | 0 | 0 | 1 | 1 | 1 | 1 | 1 | 1 |

0 :Low level voltage, 1 : High level voltage

Each basic color can be displayed in 64 gray scales from 6 bit data signals. According to the combination of total 18 bit data signals, the 262,144-color display can be achieved on the screen.

10. Optical Characteristics

Ta=25°C, Vcc=+3.3V / +5.0V

| Parameter | | Symbol | Condition | Min. | Typ. | Max. | Unit | Remark |
|--|------------|-----------------|-----------------------|-------|-------|-------|-------------------|------------------------|
| Viewing angle range | Horizontal | 21, 22 | CR>10 | 60 | 70 | - | Deg. | [Note1] |
| | Vertical | 11 | | 35 | 50 | - | Deg. | [Note4] |
| | | 12 | | 45 | 60 | - | Deg. | |
| Contrast ratio | | CRn | =0° | 300 | - | - | | [Note2] |
| | | CRo | Optimum viewing angle | - | 500 | - | | [Note4] |
| Response time | Rise | r | =0° | - | 10 | - | ms | [Note3] |
| | Decay | d | | - | 25 | - | ms | |
| Chromaticity of white | | x | | 0.263 | 0.313 | 0.363 | | IL=6.0mArms f=60kHz |
| | | y | | 0.279 | 0.329 | 0.379 | | |
| Luminance of white White Uniformity | | Y _{L1} | | 280 | 350 | - | cd/m ² | [Note5] |
| | | δW | | - | - | 1.45 | | |

[Note] The measurement shall be executed 30 minutes after lighting at rating. (condition:IL=6.0mA rms)

The optical characteristics shall be measured in a dark room or equivalent state with the method shown in Fig.3 below.

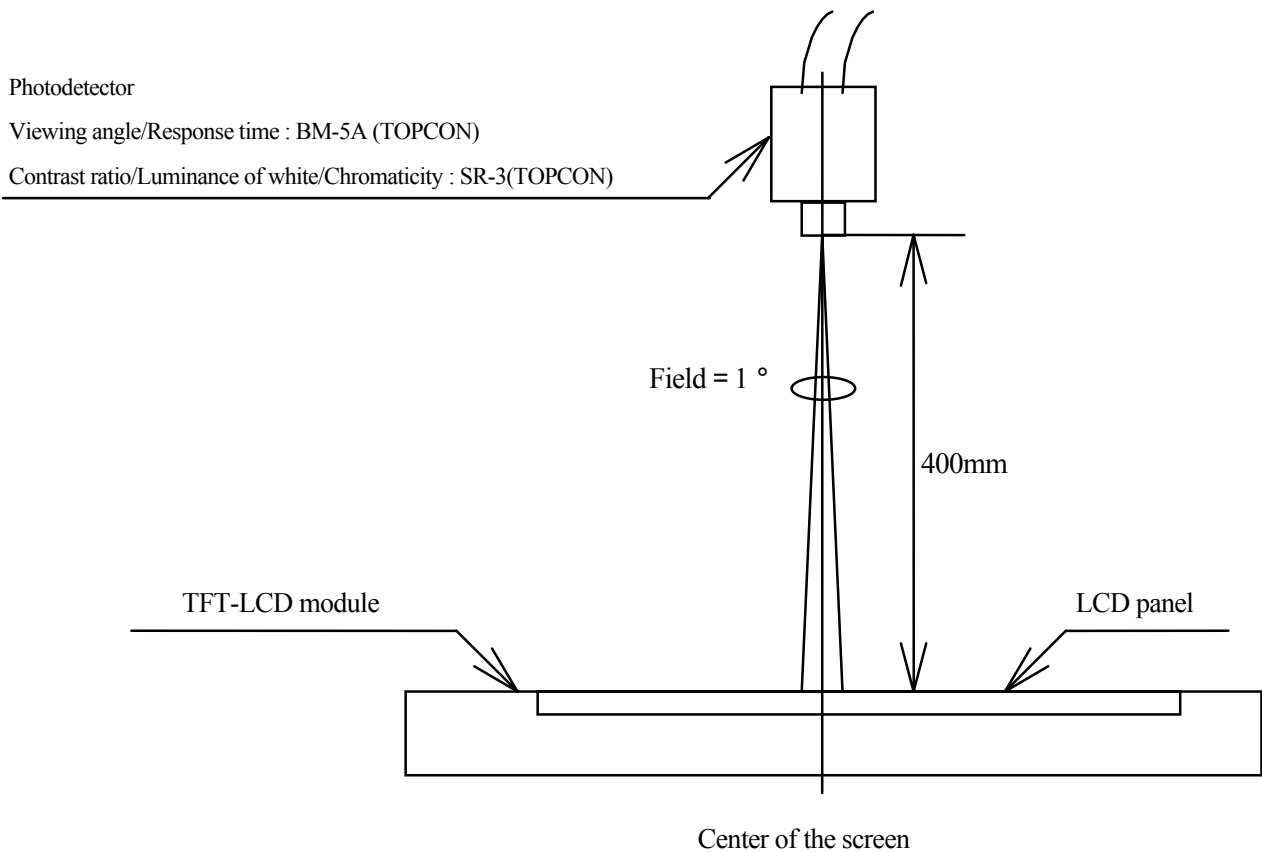
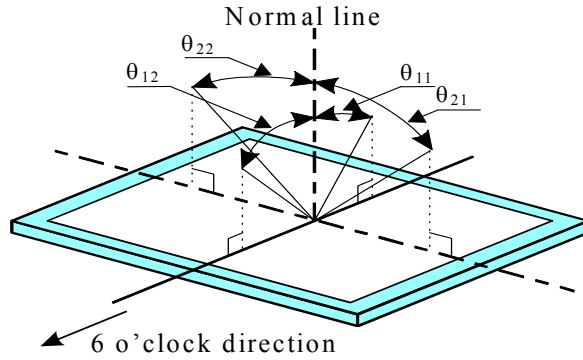


Fig.3 Optical characteristics measurement method

[Note1] Definitions of viewing angle range:



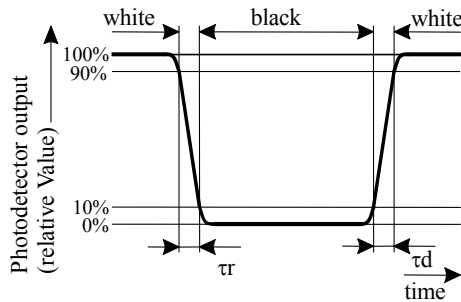
[Note2] Definition of contrast ratio:

The contrast ratio is defined as the following.

$$\text{Contrast Ratio (CR)} = \frac{\text{Luminance (brightness) with all pixels white}}{\text{Luminance (brightness) with all pixels black}}$$

[Note3] Definition of response time:

The response time is defined as the following figure and shall be measured by switching the input signal for "black" and "white" .

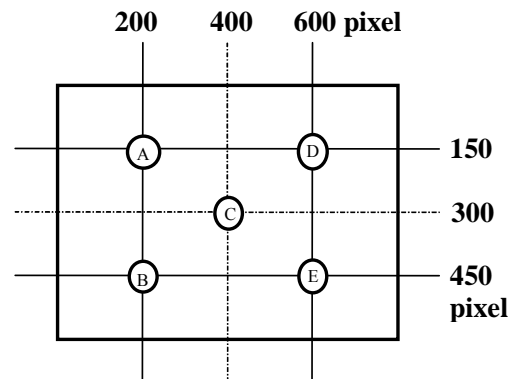


[Note4] This shall be measured at center of the screen.

[Note5] Definition of white uniformity:

White uniformity is defined as the following with five measurements (A ~ E).

$$w = \frac{\text{Maximum Luminance of five points (brightness)}}{\text{Minimum Luminance of five points (brightness)}}$$



11. Display Quality

The display quality of the color TFT-LCD module shall be in compliance with the Incoming Inspection Standard.

12. Handling Precautions

- a) Be sure to turn off the power supply when inserting or disconnecting the cable.
- b) Be sure to design the cabinet so that the module can be installed without any extra stress such as warp or twist.
- c) Since the front polarizer is easily damaged, pay attention not to scratch it.
Blow away dust on the polarizer with antistatic N₂ blow. It is undesirable to wipe off because a polarizer is sensitive. It is recommended to peel off softly using the adhesive tape when soil or finger oil is stuck to the polarizer.
When unavoidable, wipe off carefully with a cloth for wiping lenses.
- d) Wipe off water drop immediately. Long contact with water may cause discoloration or spots.
- e) When the panel surface is soiled, wipe it with absorbent cotton or other soft cloth.
- f) Since the panel is made of glass, it may break or crack if dropped or bumped on hard surface. Handle with care.
- g) Since CMOS LSI is used in this module, take care of static electricity and injure the human earth when handling. Observe all other precautionary requirements in handling components.
- h) Since there is a circuit board in the module back, stress is not added at the time of a design assembly. Please make it like. If stress is added, there is a possibility that circuit parts may be damaged.
- i) Protection film is attached to the module surface to prevent it from being scratched .
Peel the film off slowly , just before the use, with strict attention to electrostatic charges.
Blow off 'dust' on the polarizer by using an ionized nitrogen.
- j) The polarizer surface on the panel is treated with Anti-Glare for low reflection. In case of attaching protective board over the LCD, be careful about the optical interface fringe etc. which degrades display quality.
- k) Do not expose the LCD panel to direct sunlight. Lightproof shade etc. should be attached when LCD panel is used under such environment.
- l) Connect GND to 4 place of mounting holes to stabilize against EMI and external noise.
- m) There are high voltage portions on the backlight and very dangerous. Careless touch may lead to electrical shock.
When exchange lamps or service, turn off the power without fail.
- n) When handling LCD modules and assembling them into cabinets, please be noted that long-term storage in the environment of oxidization or deoxidization gas and the use of such materials as reagent, solvent, adhesive, resin, etc. which generate these gasses, may cause corrosion and discoloration of the LCD modules.
- o) Cold cathode fluorescent lamp in LCD panel contains a small amount of mercury, please follow local ordinances or regulations for disposal.
- p) Be careful of a back light lead not to pull by force at the time of the wiring to an inverter, or line processing.
- q) When install LCD modules in the cabinet, please tighten with “torque = $0.294 \pm 0.02\text{N} \cdot \text{m}$ ($3.0 \pm 0.2\text{kgf} \cdot \text{cm}$)”.
Be sure to confirm it in the same condition as it is installed in your instrument.
- r) Liquid crystal contained in the panel may leak if the LCD is broken. Rinse it as soon as possible if it gets inside your eye or mouth by mistake.
- s) Notice: Never dismantle the module , because it will cause failure.
- t) Be careful when using it for long time with fixed pattern display as it may cause afterimage.
- u) Adjusting volume have been set optimally before shipment, so do not change any adjusted value.
If adjusted value is changed, the specification may not be satisfied.
- v) If a minute particle enters in the module and adheres to an optical material, it may cause display non-uniformity issue, etc. Therefore, fine-pitch filters have to be installed to cooling and inhalation hole if you intend to install a fan.
- w) The lamp used for this product is very sensitive to the temperature.
Luminance decreases rapidly when it is used for a long time or repeatedly under the environment of the low temperature or the module is being cooled.
Please avoid the continuous or repeating use of it under such an environment.
It may decrease up to 50% of the initial luminance in about one month under the low temperature environment.
Please consult our company when it is used under the environment like the above mentioned.

13. Packing form

| | | | |
|---|-----------------|--------|-------|
| Product countries / Areas | JAPAN | TAIWAN | CHINA |
| Piling number of cartons | 6 | | |
| Package quantity in one carton | 20 | | |
| Carton size | 486 × 403 × 322 | | |
| Total mass of one carton filled with full modules | 14Kg | | |
| Packing form is shown | Fig.4 | | |

14. Reliability test items

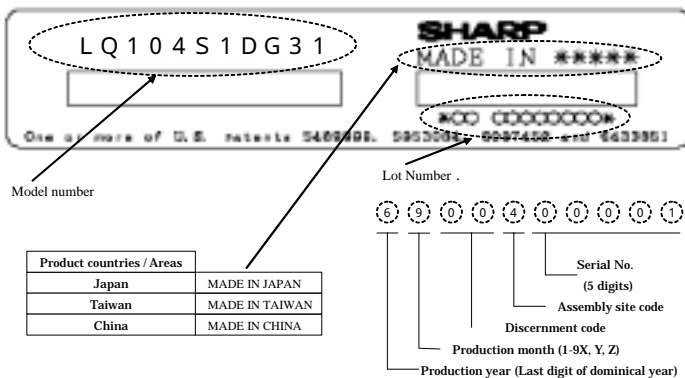
| No. | Test item | Conditions | Remark |
|-----|---|---|---------------|
| 1 | High temperature storage test | Ta=80 240h | |
| 2 | Low temperature storage test | Ta=-30 240h | |
| 3 | High temperature & high humidity operation test | Ta=40 ; 95%RH 240h (No condensation) | |
| 4 | High temperature operation test | Tp=80 240h | Panel surface |
| 5 | Low temperature operation test | Ta=-30 240h | |
| 6 | Vibration test (non- operating) | Frequency: 10 ~ 57Hz/Vibration width (one side): (0.153)mm : 57 ~ 500Hz/Gravity: 19.6 m/s ² Sweep time : 11 minutes Test period : 3 hours (1 hour for each direction of X,Y,Z) | |
| 7 | Shock test (non- operating) | Max. gravity : 490m/s ² Pulse width : 11ms, half sine wave Direction : ± X, ± Y, ± Z once for each direction. | |
| 8 | ESD test | Human model | |
| 9 | EMI | VCCI (Class B) | |

[Result Evaluation Criteria]

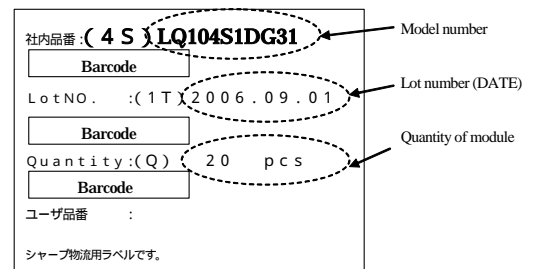
Under the display quality test conditions with normal operation state, these shall be no change which may affect practical display function. (normal operation state : Temperature:15 ~ 35 , Humidity:45 ~ 75%, Atmospheric pressure:86 ~ 106kpa)

15. Others

15-1 Lot No. Label:

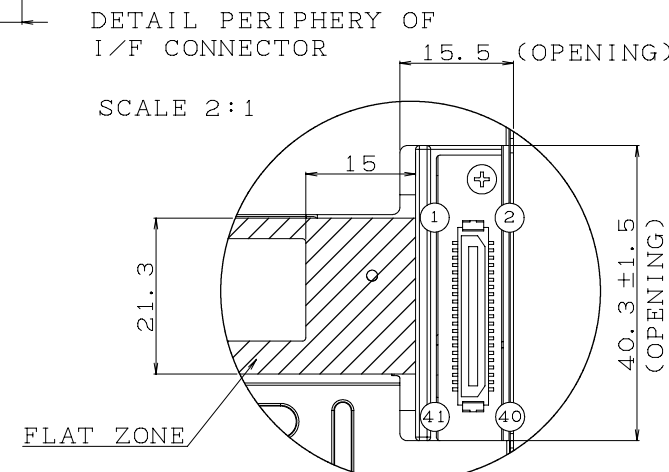
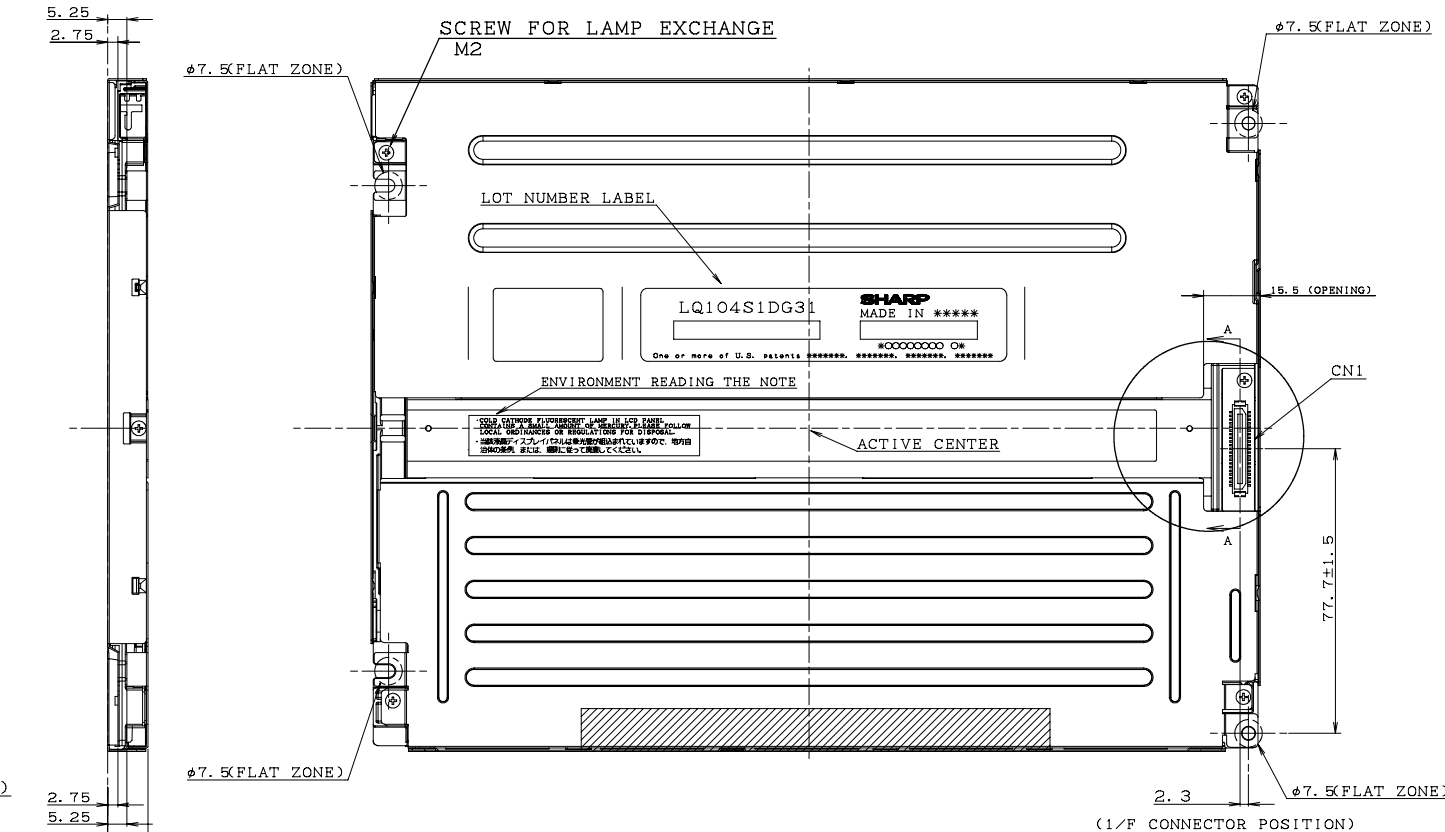
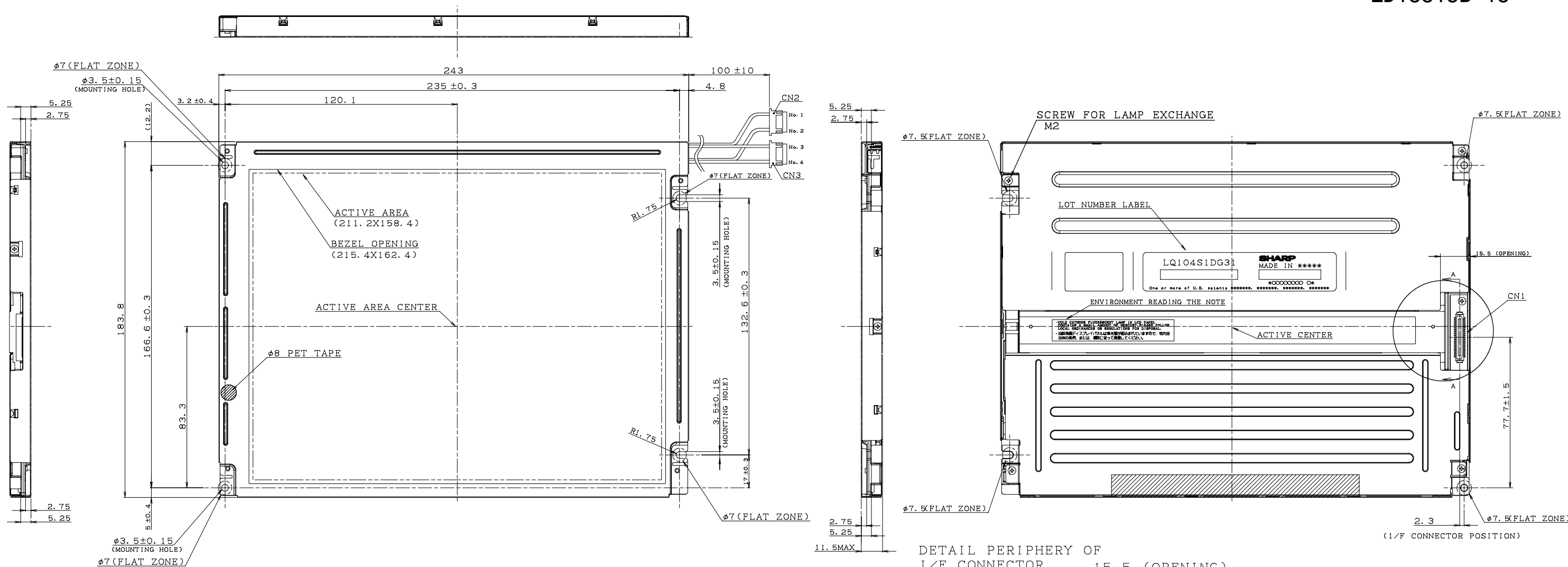


15-2 Packing box Label:



Internal Use Only
- R. C.

R.C. (RoHS Compliance) means these parts have corresponded with the RoHS directive.



INTERFACE CONNECTOR
PIN LAYOUT (41PIN)

| | | | | | | | | | | | | | | | |
|-----|-----|-----|-----|-------|-------|------|------|-----|-----|------|-----|-----|----|----|----|
| pin | 1 | 2 | 3 | 4 | 5 | 6 | 7 | 8 | 9 | 10 | 11 | 12 | 13 | 14 | 15 |
| | GND | CK | GND | Hsync | Vsync | GND | GND | GND | R0 | R1 | R2 | GND | R3 | R4 | R5 |
| 16 | 17 | 18 | 19 | 20 | 21 | 22 | 23 | 24 | 25 | 26 | 27 | 28 | 29 | 30 | 31 |
| | GND | GND | G0 | G1 | G2 | GND | G3 | G4 | G5 | GND | GND | GND | B0 | B1 | B2 |
| 32 | 33 | 34 | 35 | 36 | 37 | 38 | 39 | 40 | 41 | | | | | | |
| | GND | B3 | B4 | B5 | GND | ENAB | SCAN | VCC | VCC | MODE | | | | | |

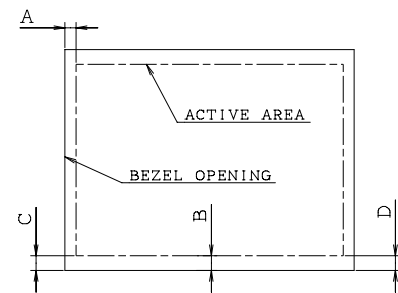
CORRESPONDING CONNECTOR: DF9-41S-1V, DF9A-41S-1V, DF9B-41S-1V, DF9M-41S-1V

CN2, CN3:
BHR-02(8.0)VS-1N(JST)

| | |
|---|------|
| 1 | High |
| 2 | GND |

Fig.1 OUTLINE DIMENSIONS
(LQ104S1DG31)

BEZEL/DISPLAY POSITION

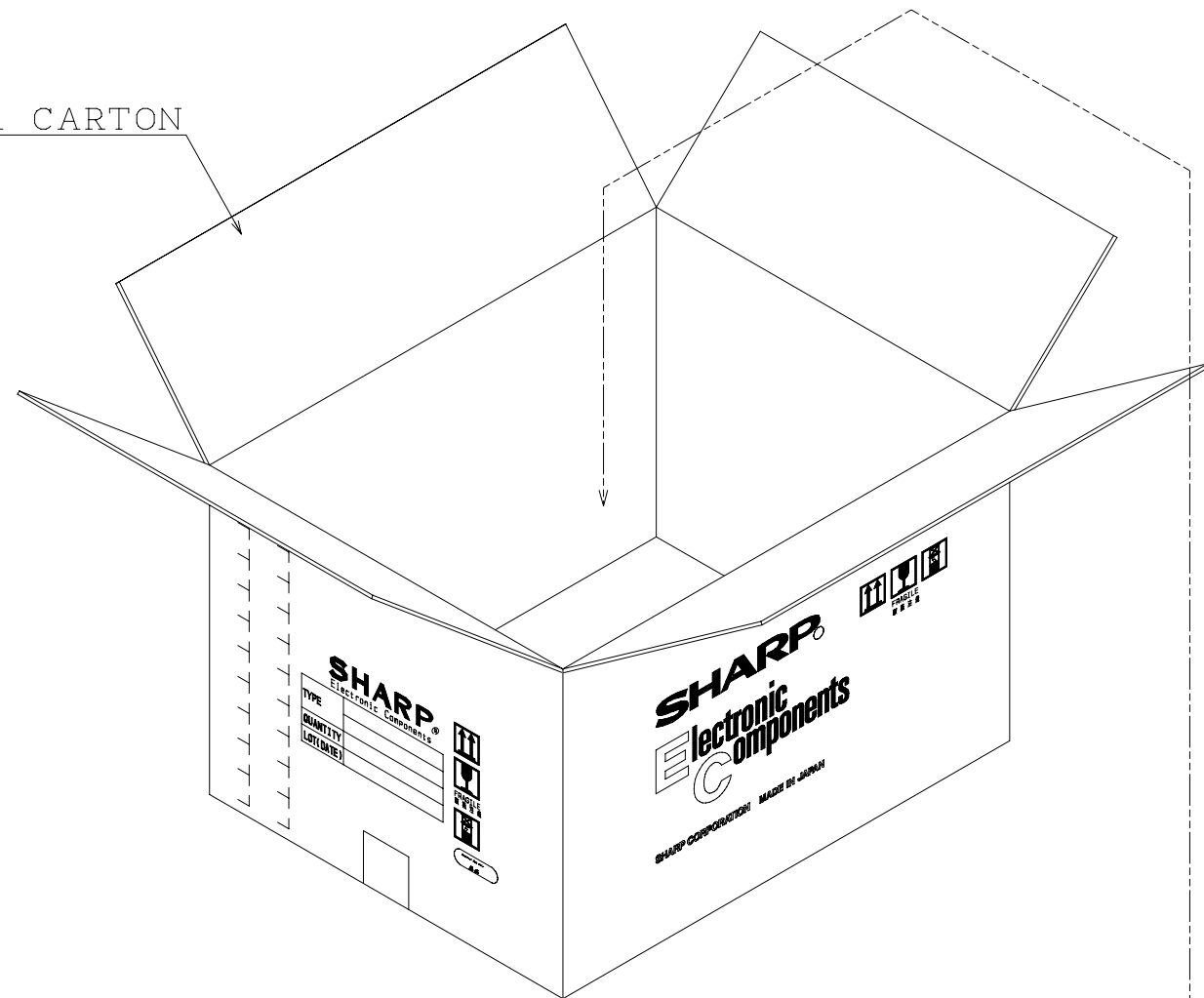


NOTES)

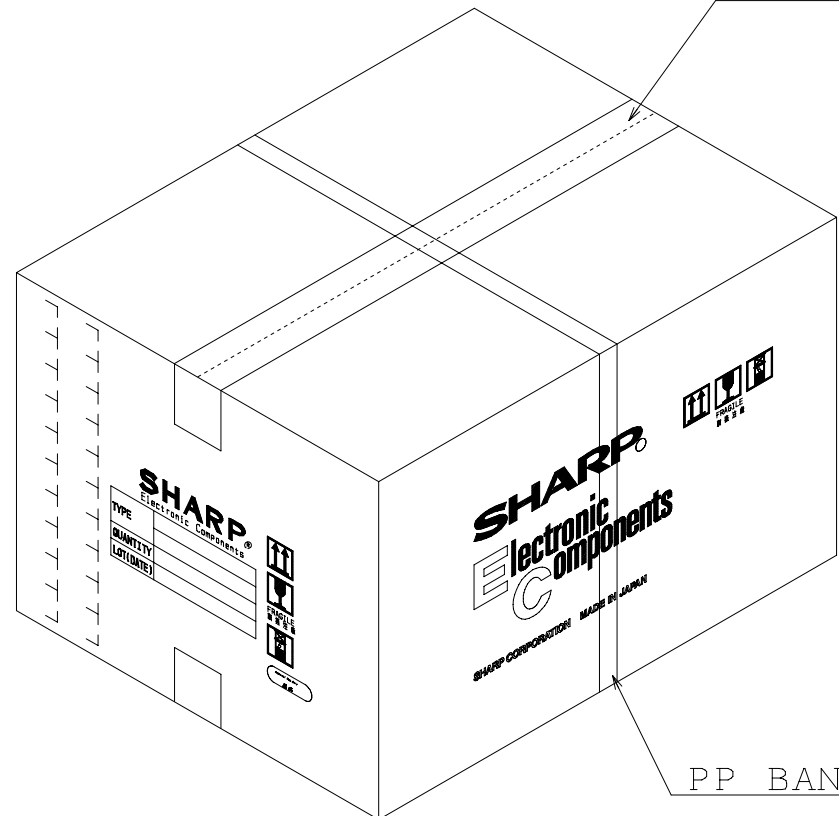
- 1) UNSPECIFIED TOLERANCE TO BE ± 0.5 .
- 2) WARPING OF COMPONENTS SUCH AS TAPE, BEZEL, PCB, CHASSIS, FPC, PROTECTION COVER, ETC. ARE EXCLUDED FROM THICKNESS AND DIMENSIONS OF THE MODULE.
- 3) RECOMMENDED TIGHTEN TORQUE FOR MOUNTING $0.294 \pm 0.02 N \cdot m$ ($3.0 \pm 0.2 \text{ kgf} \cdot \text{cm}$)

1) TOLERANCE X DIRECTION A: 2.1 ± 0.8
 2) TOLERANCE Y DIRECTION B: 2.0 ± 0.8
 3) OBLIQUITY OF DISPLAY AREA $|C-D| < 0.8$

MASTER CARTON

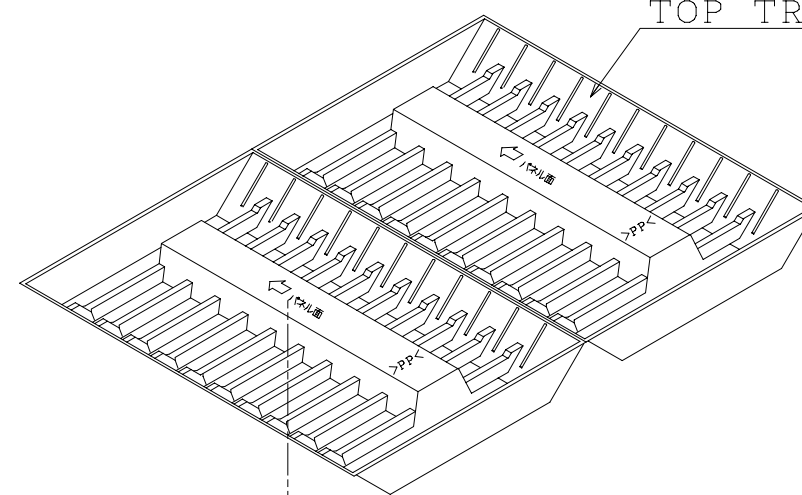


OPP TAPE



PP BAND

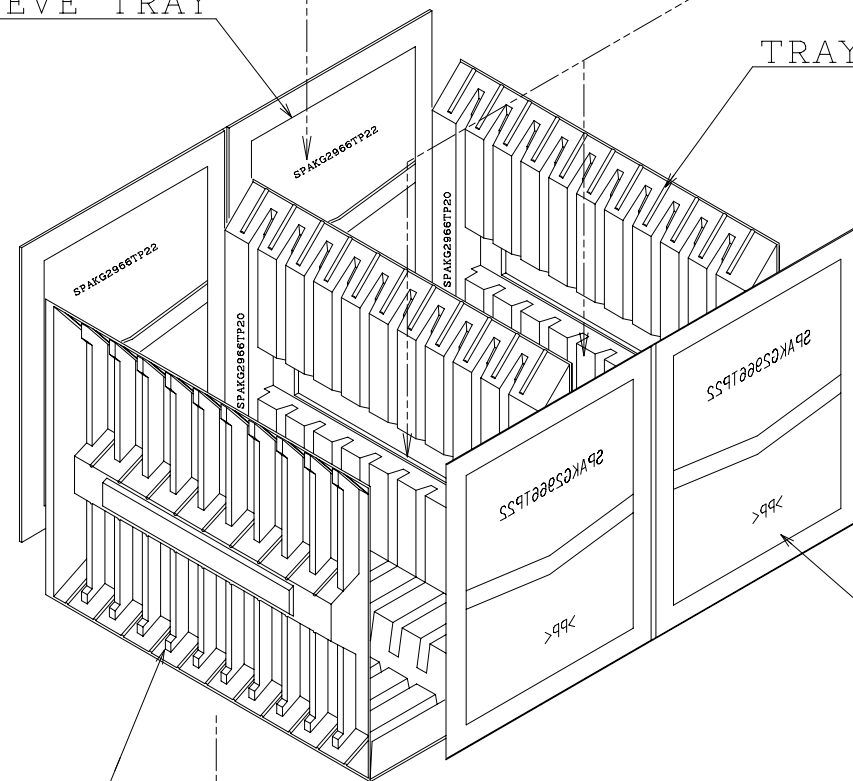
TOP TRAY



TFT-LCD MODULE

SLEEVE TRAY

TRAY



SLEEVE TRAY

TRAY

Fig.4 PACKING FORM

AVNET EMBEDDED OFFICES.

DENMARK

Avnet Embedded
Avnet Nortec A/S
Ellekær 9
2730 Herlev
Phone: +45 3678 6250
Fax: +45 3678 6255
denmark@avnet-embedded.eu

FINLAND

Avnet Embedded
Avnet Nortec Oy
Tiilenpolttajankuja 3 A B
1720 Vantaa
Phone: +358 207 499260
Fax: +358 942 597446
finland@avnet-embedded.eu

FRANCE

Avnet Embedded
Avnet EMG France SA
Immeuble 154, Parc Chene 2
5, allée du General Benoist
69000 Bron
Phone: +33 4 72 81 02 30
Fax: +33 4 72 81 02 34
axess-bron@avnet-embedded.eu

Avnet Embedded
Avnet EMG France SA
4, rue de la Couture
Bâtiment Milan, BP 20209
94518 Rungis Cedex
Phone: +33 1 49 78 88 88
Fax: +33 1 49 78 88 89
axess-rungis@avnet-embedded.eu

Avnet Embedded
Avnet EMG France SA
ZA la Hallerais le Semiramis
2, allée du Communal
35770 Vern sur Seiche
Phone: +33 2 99 77 37 02
Fax: +33 2 99 77 33 38
axess-rennes@avnet-embedded.eu

GERMANY (AUSTRIA, CZECH REPUBLIC, HUNGARY, POLAND, SWITZERLAND)

Avnet Embedded
Avnet EMG GmbH
Gruber Straße 60c
85586 Poing
Phone: +49 8121 775 500
Fax: +49 8121 775 550
poing@avnet-embedded.eu

Avnet Embedded
Avnet EMG GmbH
Lötscher Weg 66
41334 Nettetal
Phone: +49 8121 775 500
Fax: +49 8121 775 550
nettetal@avnet-embedded.eu

ITALY (PORTUGAL, SPAIN)

Avnet Embedded
Avnet EMG Italy SRL
Via Manzoni, 44
20095 Cusano Milanino
Phone: +39 02 66092 1
Fax: +39 02 66092 498
milano@avnet-embedded.eu

NETHERLANDS (BELGIUM, LUXEMBOURG)

Avnet Embedded
Avnet B.V.
Takkebijsters 2
4802 BL Breda
Phone: +31 76 5722400
Fax: +31 76 5722404
benelux@avnet-embedded.eu

SWEDEN (NORWAY)

Avnet Embedded
Avnet Nortec AB
Esplanaden 3 D
172 67 Sundbyberg
Phone: +46 8 564 725 50
Fax: +46 8 760 01 10
sweden@avnet-embedded.eu

UNITED KINGDOM (IRELAND)

Avnet Embedded
Avnet EMG Ltd.
Pilgrims Court, 15/17 West Street
Reigate, Surrey, RH2 9BL
Phone: +44 1737 227800
Fax: +44 1737 243872
uk@avnet-embedded.eu

All trademarks and logos are the property of their respective owners. This document provides a brief overview only and is not intended to be complete or binding offer. Product information, including information related to a product's specifications, uses or conformance with legal or other requirements, is obtained by Avnet from its suppliers or other sources deemed reliable and is provided by Avnet on an „As Is“ basis. Avnet makes no representation as to the accuracy or completeness of the product information and Avnet disclaims all representations, warranties and liabilities under any theory with respect to the product information, including any implied warranties of merchantability, fitness for a particular purpose, title and/or non-refrangement. All product information is subject to change without notice.

LOCAL AVNET EMBEDDED BUSINESSES:

axess
technology

An Avnet Embedded Business

tdc

An Avnet Embedded Business

trident

An Avnet Embedded Business